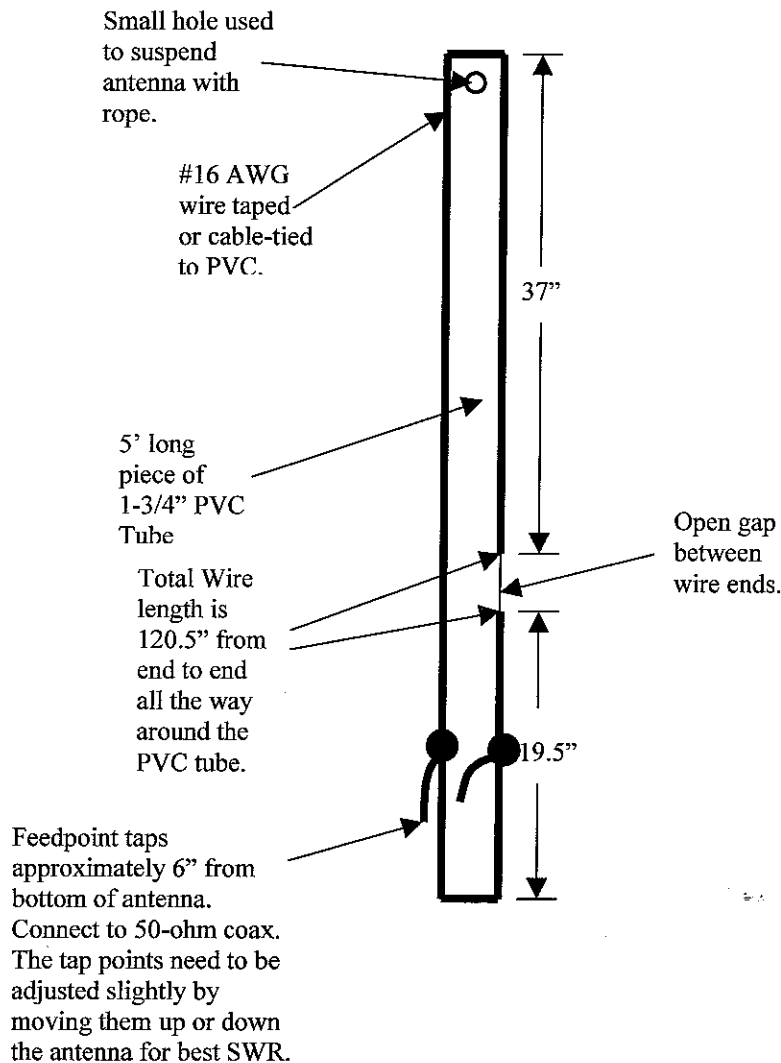


## 2 meter "Slim Jim" Antenna



**This is a very simple antenna to build, and cheap. It performs better than a vertical antenna and requires no radial system. Therefore it is possible to suspend it up in a high tree with rope. The radiation pattern is a lower angle than a vertical with radials. So it is literally firing the signal over the horizon. Therefore, it covers a greater line-of-site distance than an ordinary vertical antenna.**